

## SECTION 13.

### Replacement Parts

Use only genuine Triangle Tube replacement parts.

#### 13.1 General Information

To order or purchase parts for the Triangle Tube Keystone, contact your nearest Triangle Tube dealer or distributor. If they cannot supply you with what you need, contact Customer Service (see back cover for address, telephone and fax numbers).

#### 13.2 Parts List

ITEM DESCRIPTION	SIZE	SIZE	SIZE	SIZE	SIZE	SIZE	SIZE
	KW 199	KW 285	KS 399 KW 399	KS 500 KW 500	KS 600 KW600	KS 750 KW750	KS 850 KW 850

##### Jacket Components – See Figure 33

1	Front Panel Assembly	KSR100	KSR100	KSR101	KSR102	KSR102	KSR102	KSR102
2	Front Panel Handle	KSR103	KSR103	KSR103	KSR103	KSR103	KSR103	KSR103
3	Rear Panel	KSR104	KSR104	KSR104	KSR104	KSR104	KSR104	KSR104
4	Left Side Panel	KSR105	KSR105	KSR106	KSR107	KSR107	KSR108	KSR109
	Right Side Panel	KSR110	KSR110	KSR111	KSR112	KSR112	KSR113	KSR114
6	Left Top Panel	KSR115	KSR116	KSR117	KSR118	KSR119	KSR120	KSR121
7	Middle Left Top Panel	KSR122	KSR123	KSR124	KSR125	KSR126	KSR127	KSR128
7A	Middle Right Top Panel	KSR129	KSR130					
8	Right Top Panel	KSR131	KSR132	KSR133	KSR134	KSR135	KSR136	KSR137
9	Jacket Angle Bracket, Right Hand	KSR138 (2)	KSR138 (2)	KSR139 (2)	KSR140 (2)	KSR140 (2)	KSR141 (2)	KSR142 (2)
9	Jacket Angle Bracket, Left Hand				KSR143 (2)			
10	Jacket Support, Left Stanchion	KSR144	KSR144	KSR144	KSR144	KSR144	KSR144	KSR144
11	Jacket Support, Rt. Stanchion	KSR145	KSR145	KSR145	KSR145	KSR145	KSR145	KSR145
12	Front Bezel	KSR146	KSR146	KSR146	KSR146	KSR146	KSR146	KSR146

##### Internal Components – See Figure 34

20	Base Assembly	KSR200	KSR200	KSR201	KSR202	KSR203	KSR204	KSR205
21	Left Rear Support Stanchion	KSR206	KSR206	KSR206	KSR206	KSR206	KSR206	KSR206
22	Left Front/Right Rear Stanchion	—	KSR207	KSR207	KSR207	KSR207	KSR207	KSR207
			(2)	(2)	(2)	(2)	(2)	(2)
23	Cantilevered Base Stanchion	KSR208	KSR208	KSR208	KSR208	KSR209	KSR210	KSR210
24	Brace, Front, HX Stanchion	KSR211	KSR212	KSR212	KSR212	KSR215	KSR212	KSR212
24A	Brace, Rear, HX Stanchion	KSR213	KSR214	KSR212	KSR212	KSR212	KSR212	KSR212
25	Mounting Rail	KSR216	KSR216	KSR217	KSR218	KSR218	KSR219	KSR220
		(2)	(2)	(2)	(2)	(2)	(2)	
26	Diagonal Brace						KSR221 (2)	KSR221 (2)
27	Condensate Trap Assembly	KSR222	KSR223	KSR223	KSR223	KSR224	KSR224	KSR224
28	Heat Exchanger Rail Clip	—	KSR225	—	—	—	—	—
			(2)					
30	PVC Reducer	KSR226	KSR227	KSR228	KSR229	KSR230	KSR230	KSR230
30A	CPVC Reducer or Coupling	KSR231	—	KSR232	—	KSR232	KSR232	KSR232
30B	2" Dia. Pipe, CPVC	KSR233	—	—	—	—	—	—
31	Hose Barbed Adapter	KSR234	KSR234	—	—	—	—	—
33	Air Inlet/ Exhaust Bracket	KSR235	KSR236	KSR237	KSR238	KSR238	KSR238	KSR238

ITEM DESCRIPTION	SIZE	SIZE	SIZE	SIZE	SIZE	SIZE	SIZE
	KW 199	KW 285	KS 399 KW 399	KS 500 KW 500	KS 600 KW600	KS 750 KW750	KS 850 KW 850
<b>Gas Train Components – See Figure 35</b>							
40 Combustion Air Blower	KSR300	KSR300	KSR301	KSR301	KSR302	KSR302	KSR302
41 Gas Valve / Venturi	KSR303	KSR304	—	—	—	—	—
42 Gas Valve	—	—	KSR305	KSR306	KSR307	KSR307	KSR307
43 Gas / Air Venturi	—	—	—	KSR308	KSR309	KSR309	KSR309
44 Manual Shut off	—	—	KSR310	KSR311	KSR311 (2 for KS600)	KSR312	KSR312
44A Manual Shut off	—	—	—	KSR310	—	KSR311	KSR311
45 Gas Valve Flange Kit	—	—	—	KSR313	KSR313	KSR313	KSR313
46 Gas Valve/ Venturi Cork Gasket	—	—	—	KSR314	KSR314	KSR314	KSR314
47 Gas Valve O-ring	KSR315	KSR315	—	—	—	—	—
48 Venturi O-ring	—	—	KSR316	KSR316	KSR316	KSR316	KSR316
49 High Gas Pressure Switch	—	—	—	KSR317	KSR318	KSR319	KSR319
50 Low Gas Pressure Switch	—	—	—	KSR320	KSR321	KSR322	KSR322
51 Duct / Venturi Transition	KSR323	KSR324	—	KSR325	KSR326	KSR326	KSR327
52 Gas Supply Pipe	KSR328	KSR329	KSR330	KSR331	KSR331	KSR332	KSR332
53 Gas Pipe, 3/4" NPT Formed Nipple	—	—	KSR333	—	—	—	—
55 Air Inlet Flex Hose	KSR334	KSR334	KSR335	KRS336	KSR337	KSR338	KSR338
56 Air Inlet Collector	KSR339	KSR339	KSR340	—	—	—	—
57 Electrical Connector w/ Cable	—	—	KSR341	KSR341	—	—	—
58 Elbow Adaptor	—	—	KSR342	KSR342	—	—	—
59 Blower Gasket w/ Fasteners	—	—	—	—	KSR343	KSR343	KSR343
<b>Heat Exchanger Components – See Figure 36</b>							
60 Heat Exchanger	KSR400	KSR401	KSR402	KSR403	KSR404	KSR405	KSR406
62 Low Water Cutoff Switch	—	—	—	KSR407	KSR407	KSR407	KSR407
63 Water temp sensor	KSR408	KSR408	KSR408	KSR408	KSR408	KSR408	KSR408
64 Duplex water temp sensor	KSR409	KSR409	KSR409	KSR409	KSR409	KSR409	KSR409
65 Duplex Stack temp sensor	KSR410	KSR411	KSR411	KSR411	KSR411	KSR411	KSR411
66 Pressure relief valve KS (175psi)	—	—	KSR412	KSR412	KSR412	KSR412	KSR412
66 Pressure relief valve KW (125psi)	KSR413	KSR413	KSR413	KSR413	KSR413	KSR413	KSR413
67 Air vent	KSR414	KSR414	KSR414	KSR414	KSR414	KSR414	KSR414
68 Burner door w/ gaskets	KSR415	KSR415	KSR415	KSR415	KSR415	KSR415	KSR415
68A Gaskets-only (burner door)	KSR416	KSR416	KSR416	KSR416	KSR416	KSR416	KSR416
69 Burner gasket	KSR417	KSR417	KSR417	KSR417	KSR417	KSR417	KSR417
69A Gasket set (burner, ignitor, sensor & door gaskets)	KSR418	KSR418	KSR418	KSR418	KSR418	KSR418	KSR418
70 Front refractory tile	KSR419	KSR419	KSR419	KSR419	KSR419	KSR419	KSR419
71 Rear refractory tile	KSR420	KSR420	KSR420	KSR420	KSR420	KSR420	KSR420
72 Main burner w/ gasket	KSR421	KSR422	KSR423	KSR423	KSR424	KSR425	KSR426
73 Flame sensor w/ gasket	KSR427	KSR427	KSR427	KSR427	KSR427	KSR428	KSR428
74 Ignitor w/ gasket	KSR429	KSR429	KSR429	KSR429	KSR429	KSR430	KSR430
74A Ignitor gasket	KSR431	KSR431	KSR431	KSR431	KSR431	KSR431	KSR431
Ignition cable (not shown)	KSR432	KSR432	KSR432	KSR432	KSR432	KSR433	KSR433
74B Screw, ignitor / flame sensor	KSR434	KSR434	KSR434	KSR434	KSR434	KSR434	KSR434
74C Flame / sensor gasket	KSR435	KSR435	KSR435	KSR435	KSR435	KSR435	KSR435
75 Air/gas Channel	KSR436	KSR436	KSR436	KSR437	KSR437	—	—
Air Adaptor	—	—	—	—	—	KSR438	KSR438



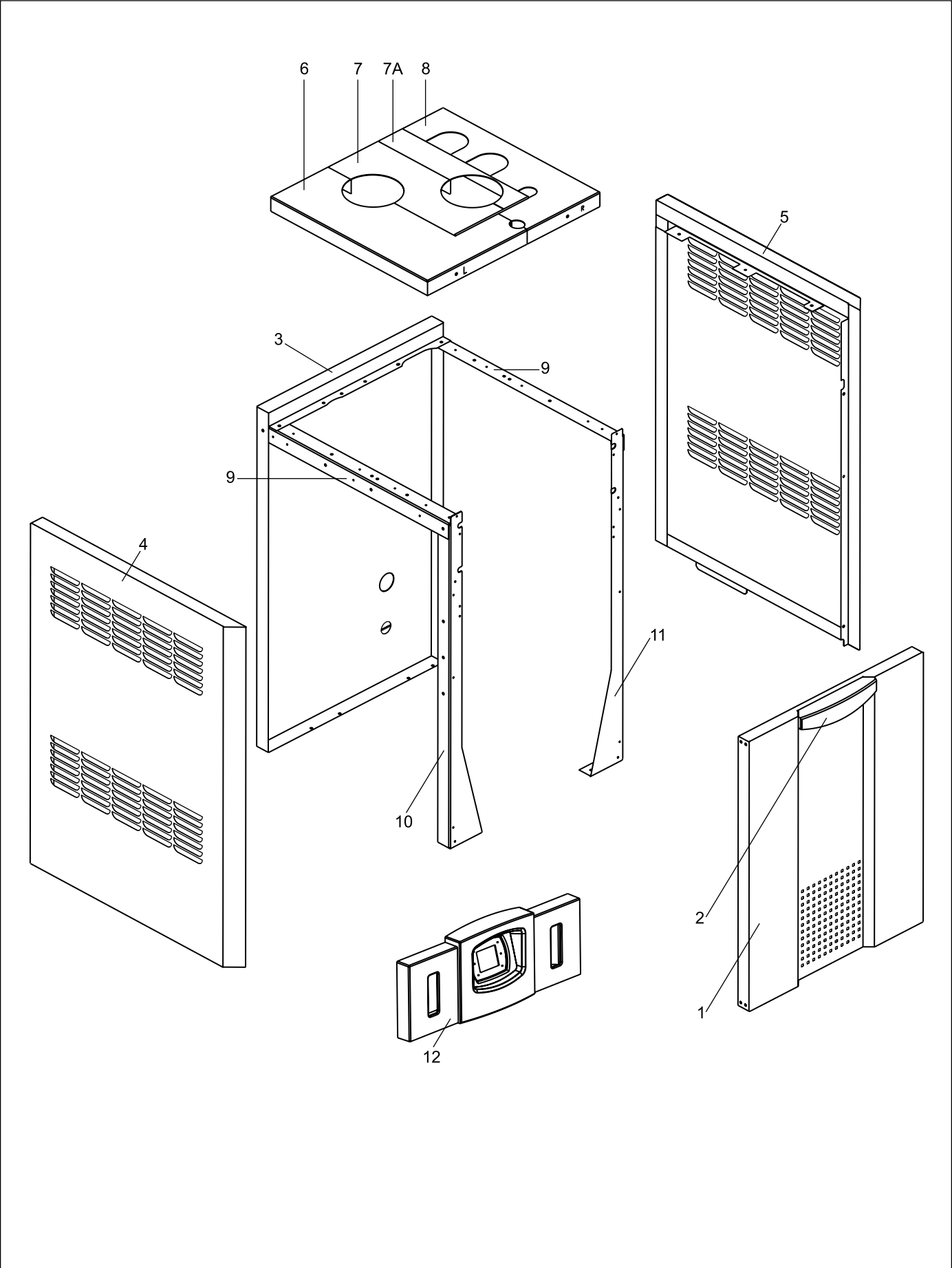


Figure 33. Jacket Components.

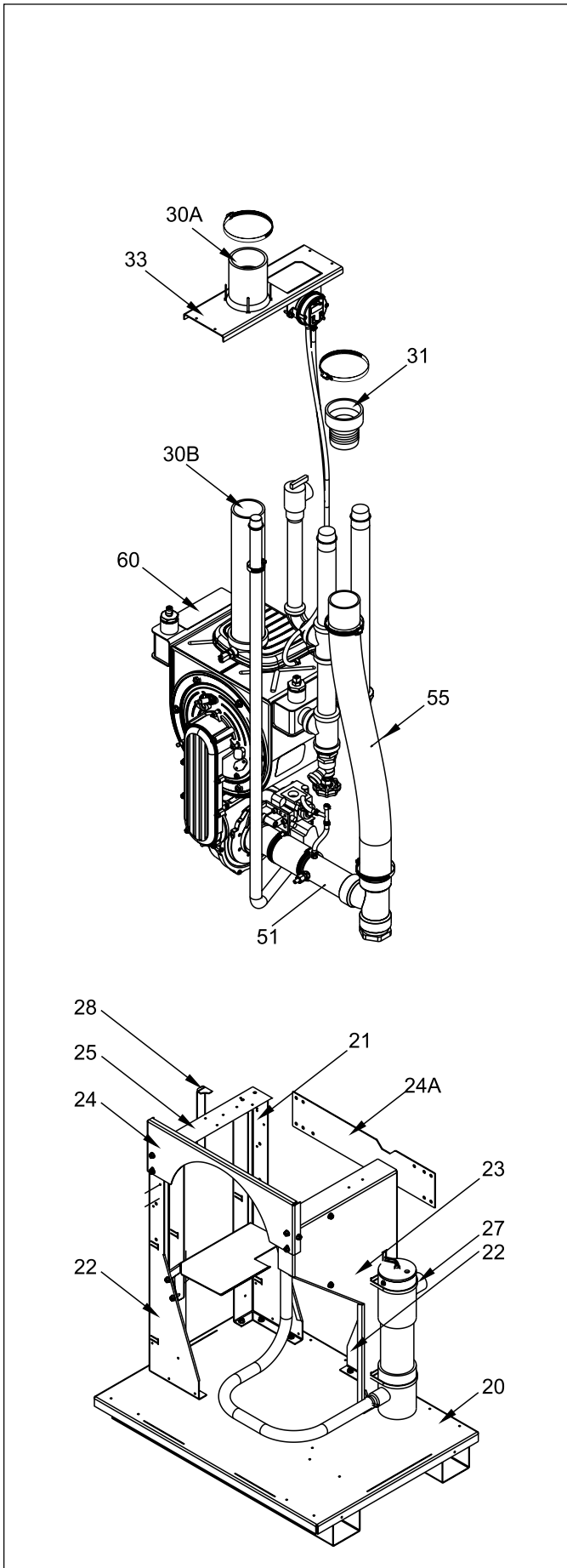


Figure 34A. Internal Components, Size 199.

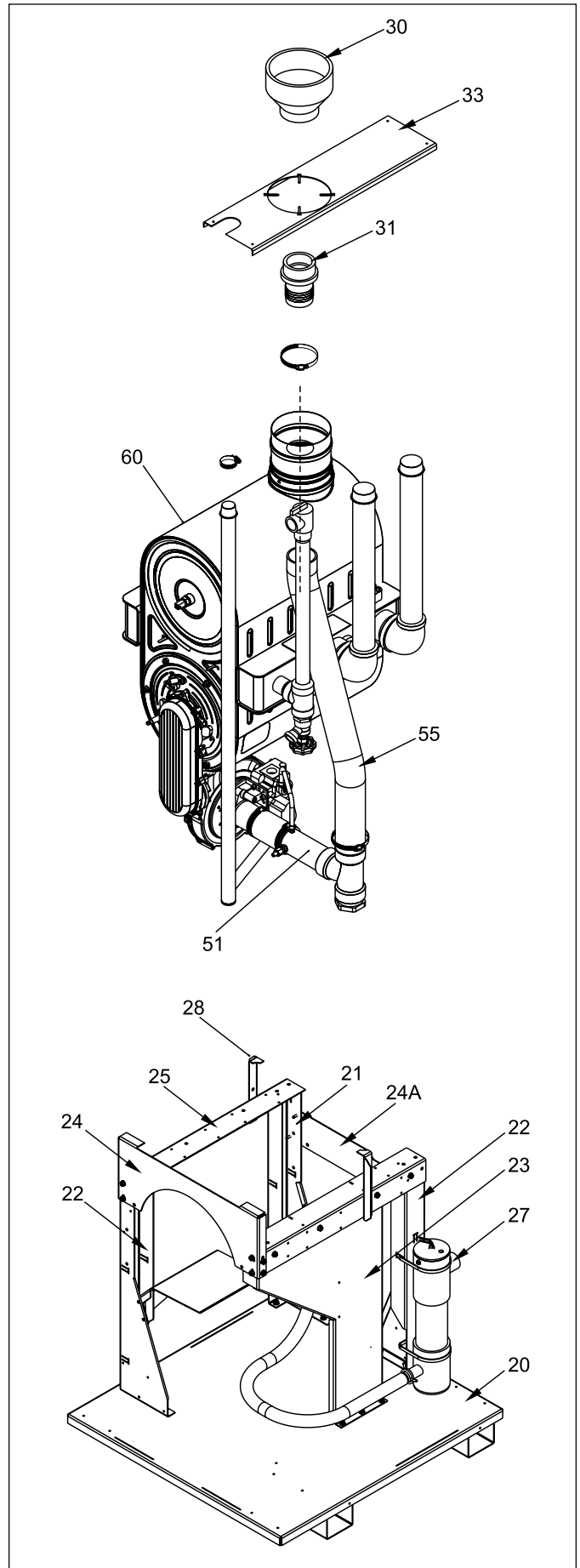


Figure 34B. Internal Components, Sizes 285-600.

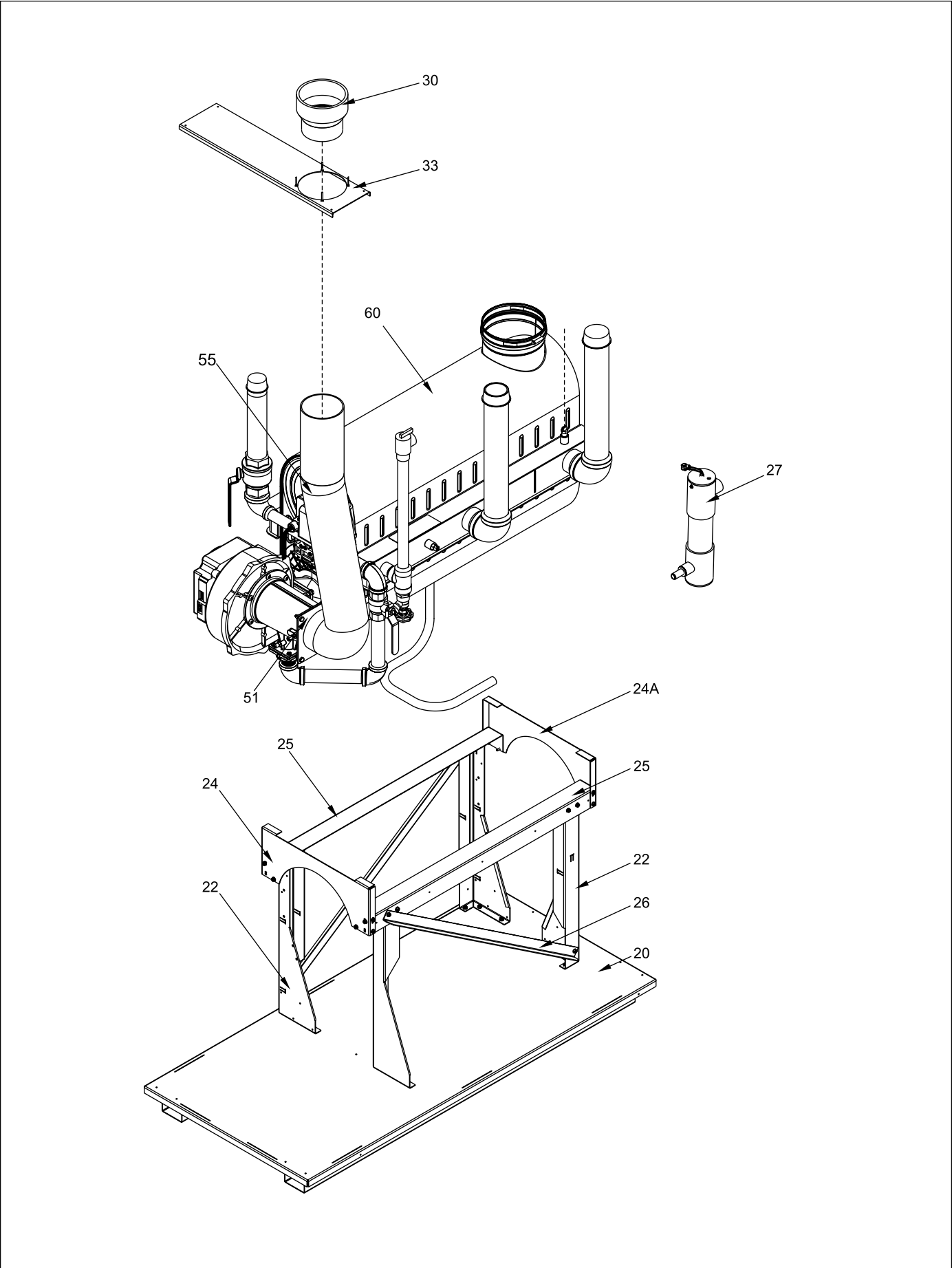


Figure 34C. Internal Components, Sizes 750-850.

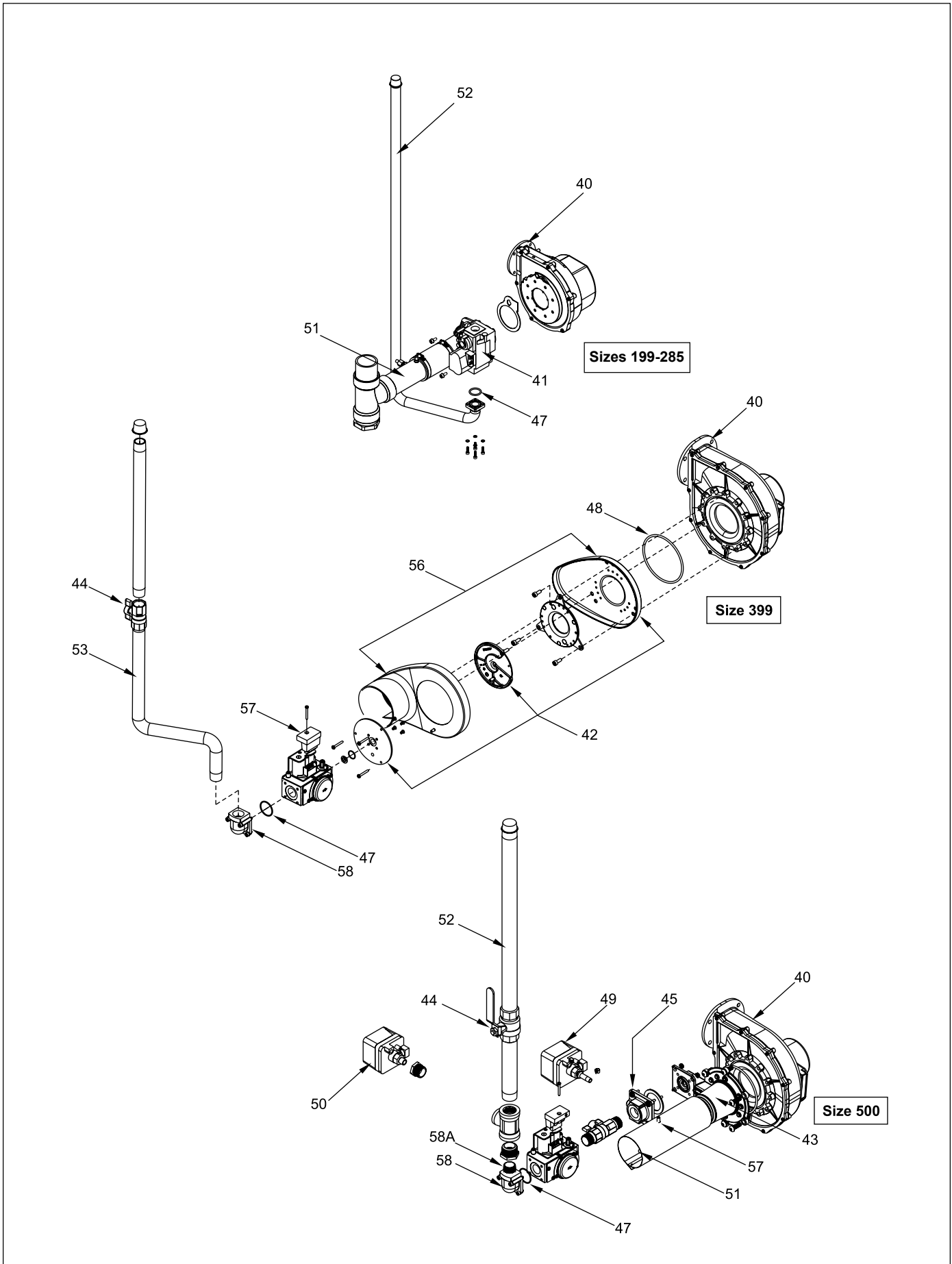


Figure 35A. Gas Train Components, Sizes 199-500.

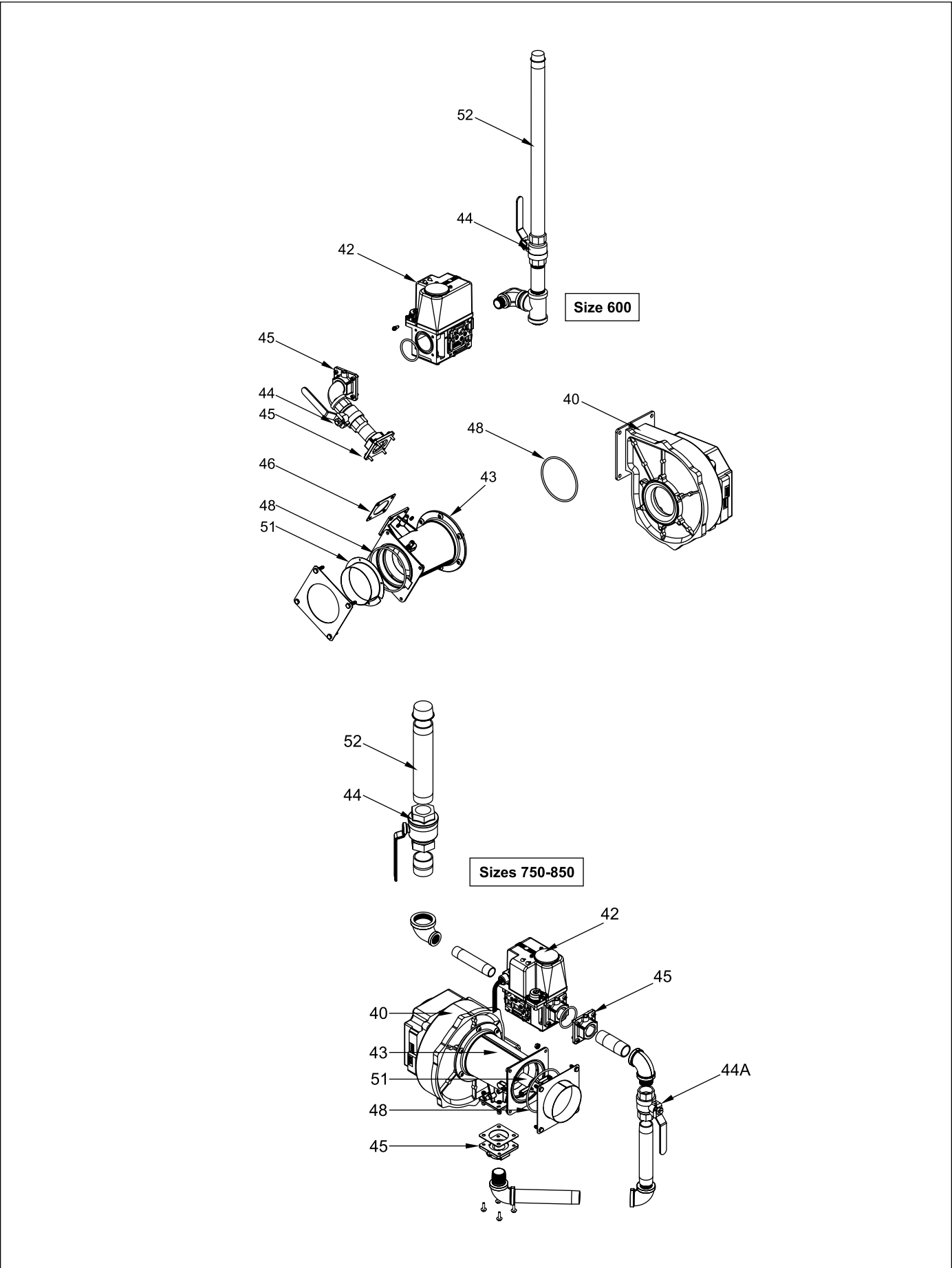


Figure 35B. Gas Train Components, Sizes 600-850.

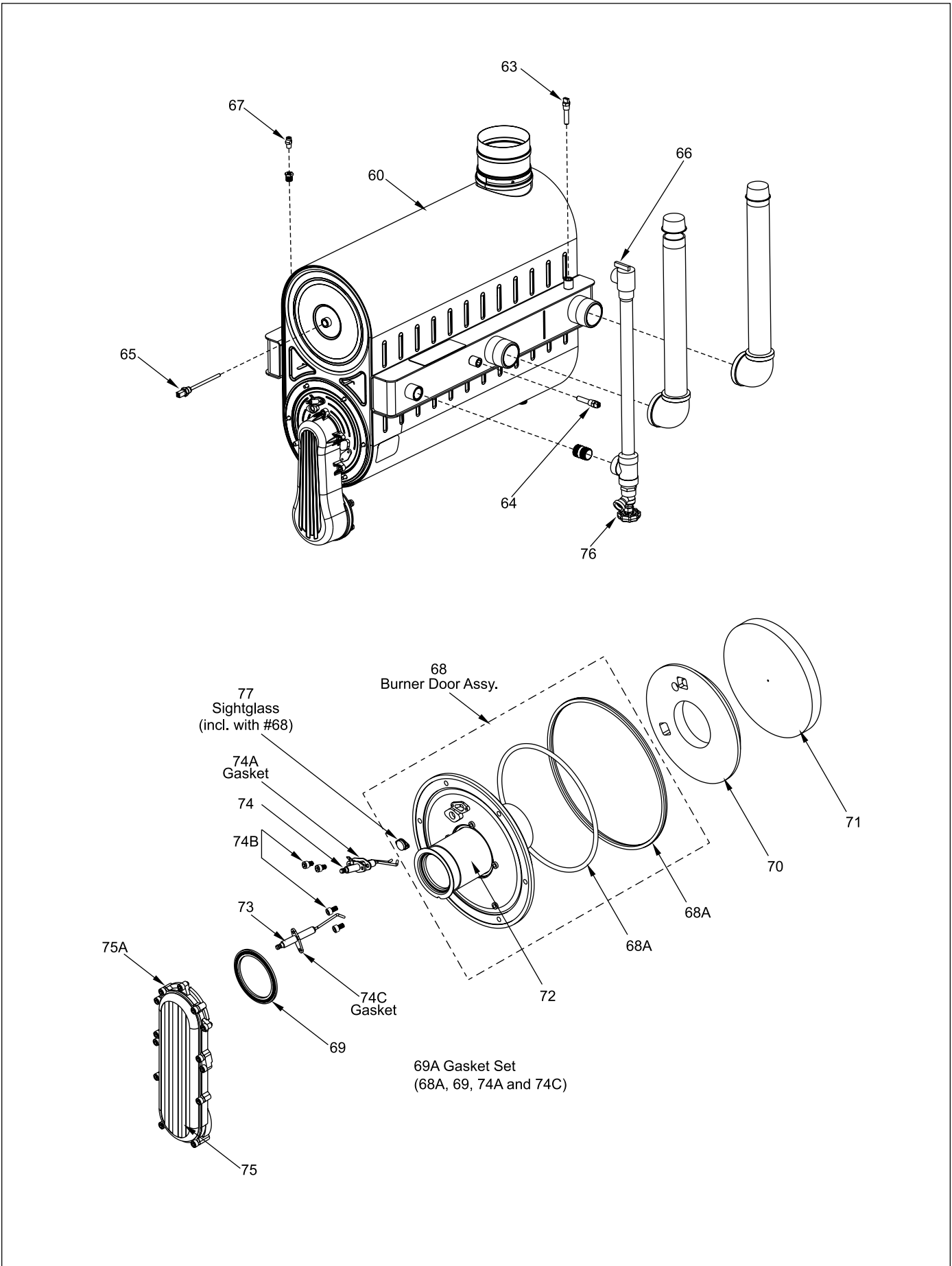


Figure 36. Heat Exchanger Components.

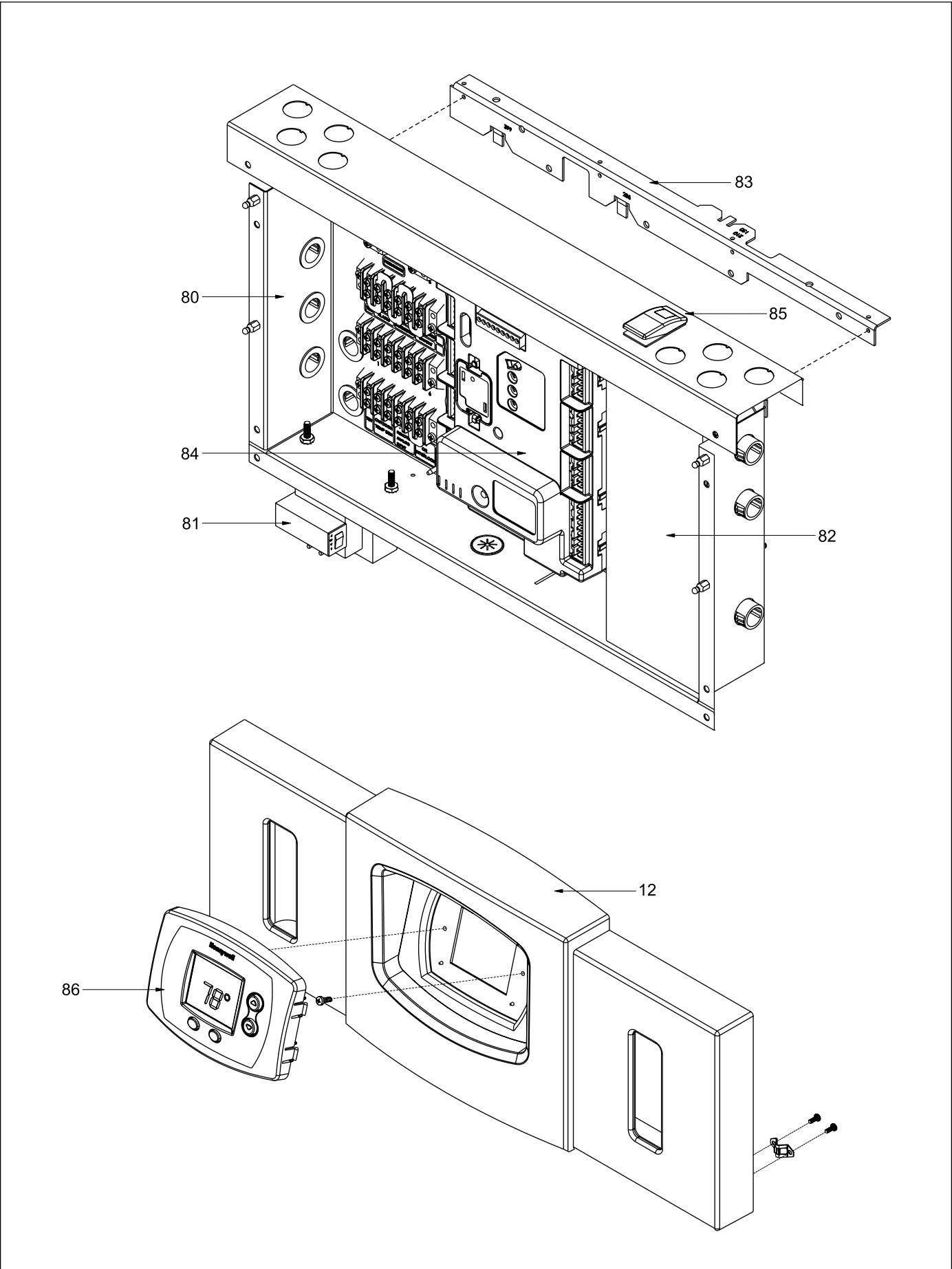


Figure 37. Electrical Components.

*Dimensions and specifications subject to change without notice in accordance with our policy of continuous product improvement.*



©Jan. 2012 / H2353800-



One Triangle Lane • Blackwood NJ 08012  
p 856.228.8881 f 856.228.3584 www.triangletube.com

